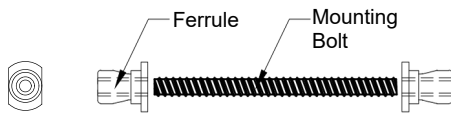
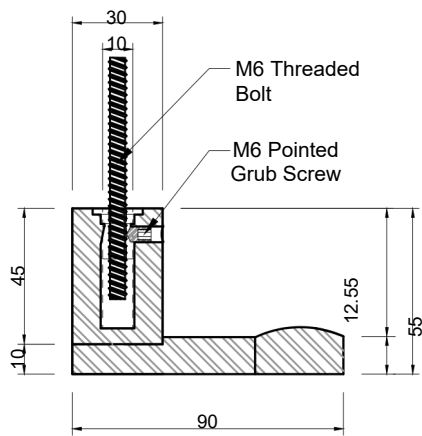
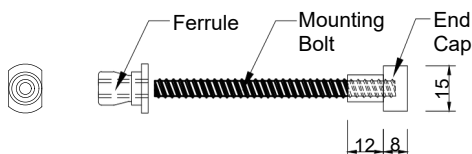


Composition: Maralina Offset Door Pull
 SKU: MDPO-400
 MDPO-800

Maralina Offset Door Pull is Designed and manufactured by Simone Pittella. It's form and function is cohesive to the contemporary Maralina design family. Produced in solid brass and available in various lengths and finishes. Designed for use on back-to-back and single fix entryway applications on steel, or aluminium doors which function in either a swing or sliding fashion.



BACK TO BACK FIXING KIT



THROUGH BOLT SINGLE SIDE

