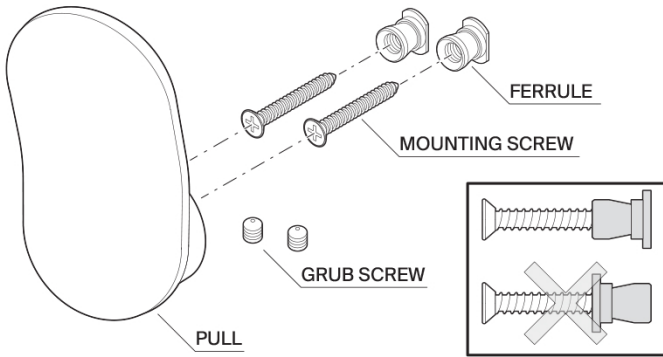
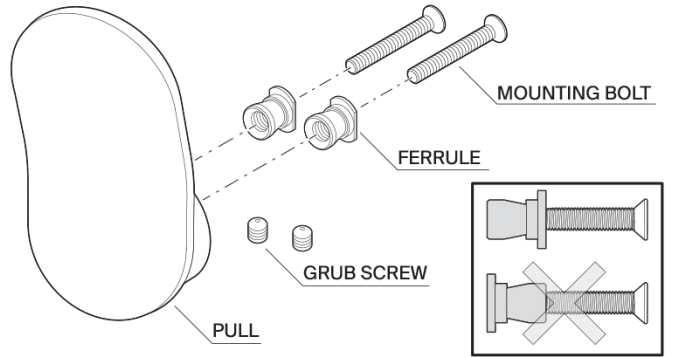


Example Diagrams for Fixing Kit Systems

Surface Mounted



Through Fixed



Back To Back

