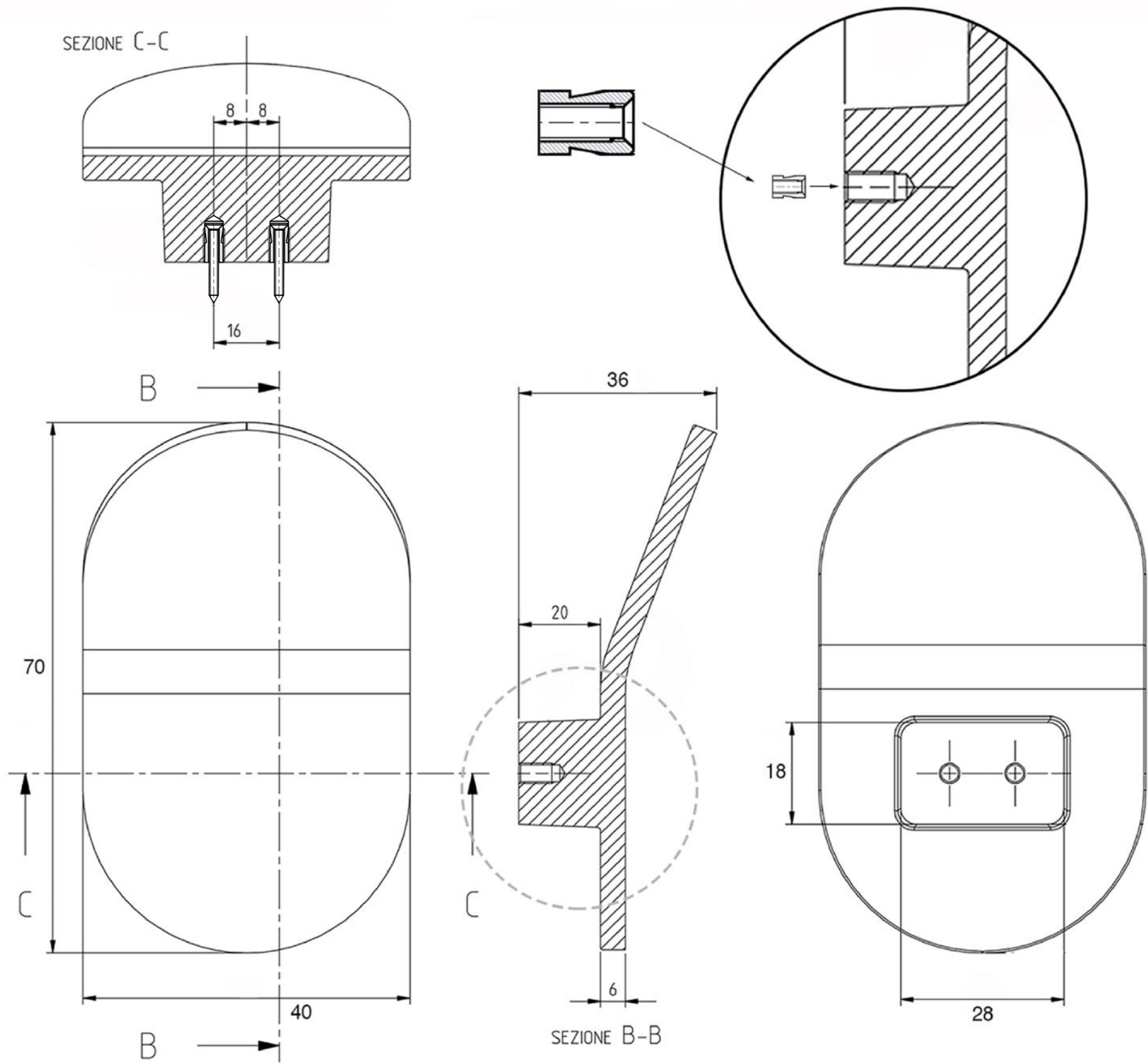


Note: Fixing system S0038-01 must be anchored to the appropriate internal timber/steel stud or solid core door set



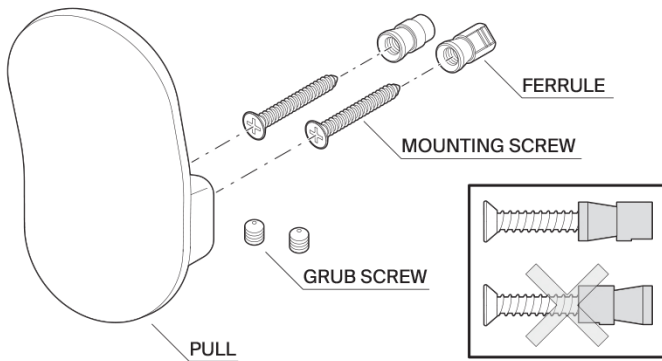
ARTICLE : RMCK-40	
DESCRIPTION : COMO JOINERY PULL	
MEASUREMENTS ARE IN MM	
Pittella [®]	DATE 27.11.20



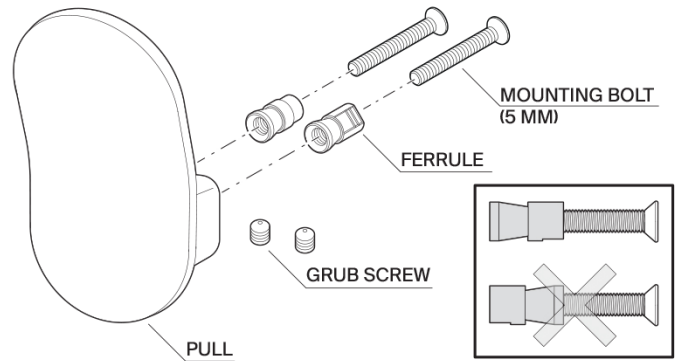
Designed for use as a joinery pull. Products must be installed with the appropriate fixing system S0038-01 included.

*Style : Contemporary
Collection : Otto Contemporary
Material : Brass CW614N
Design-Family : Maralina*

Surface Mounted



Through Fixed



Back To Back

