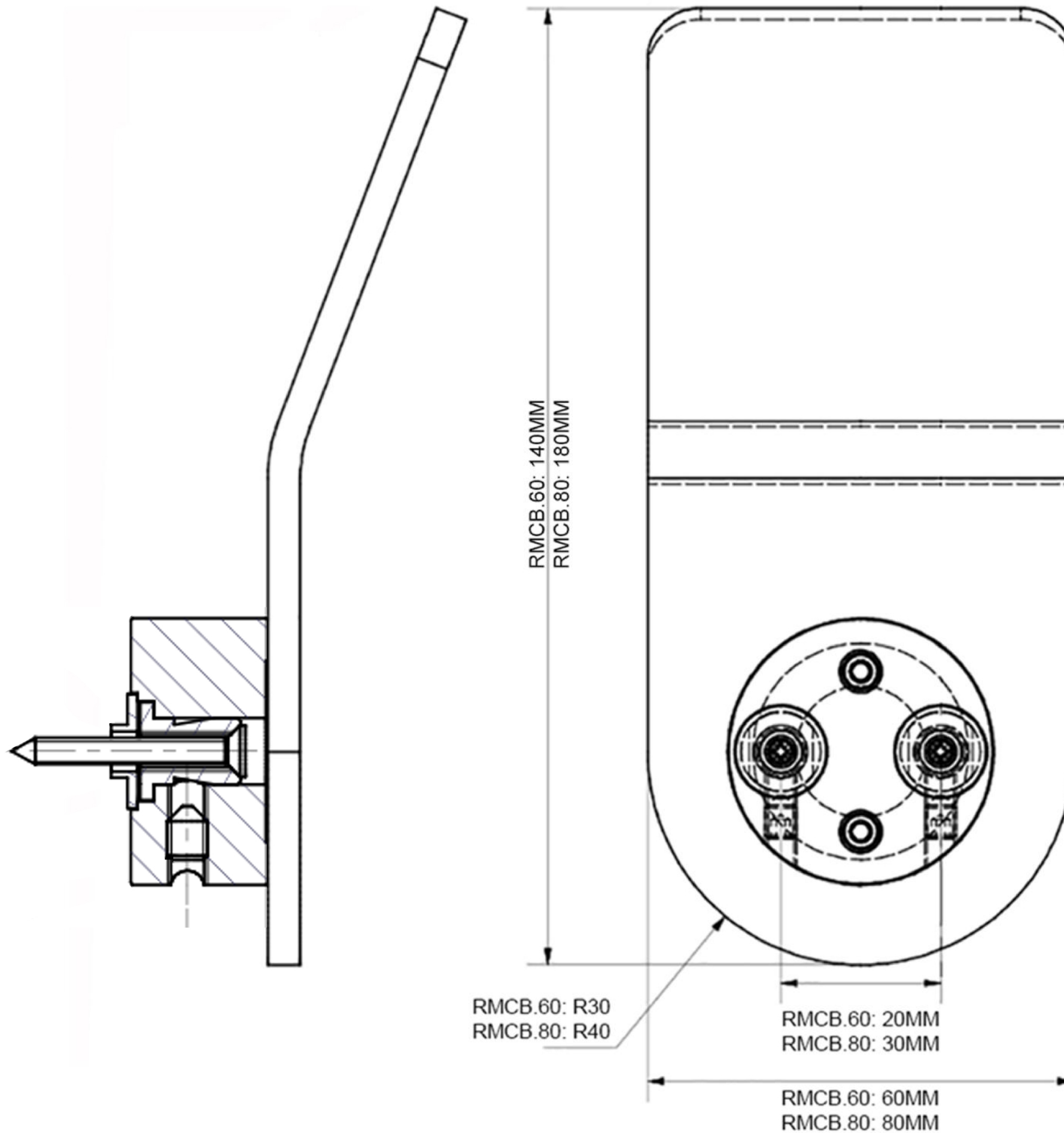


Note: Fixing system S0038-02 must be anchored to the appropriate internal timber/steel stud or solid core door set



ARTICLE : RMCB-60 AND RMCB-80	
DESCRIPTION : BELLAGIO PULL	
MEASUREMENTS ARE IN MM	
<b>Pittella®</b>	DATE 27.11.20