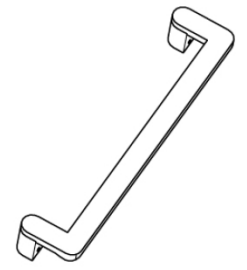
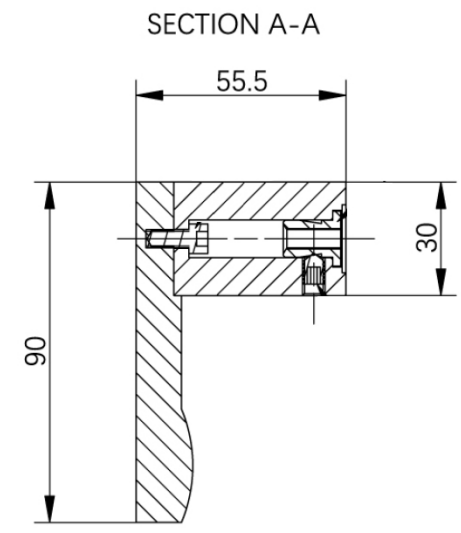
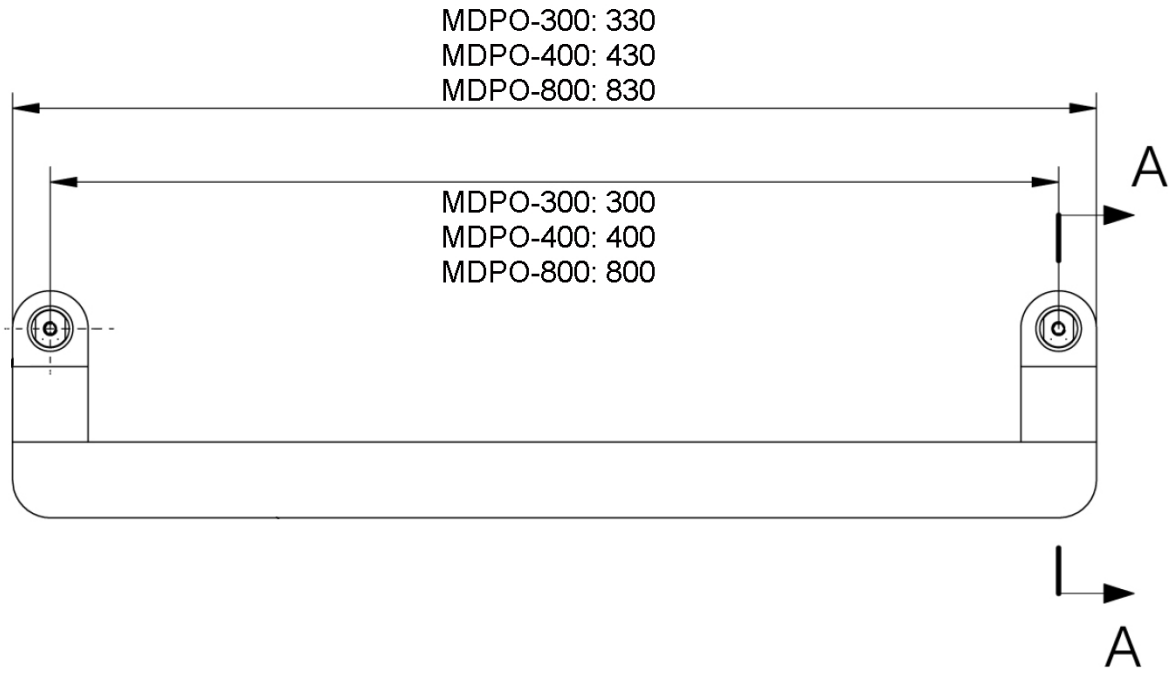
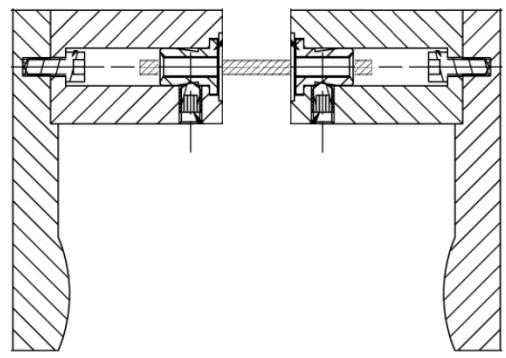


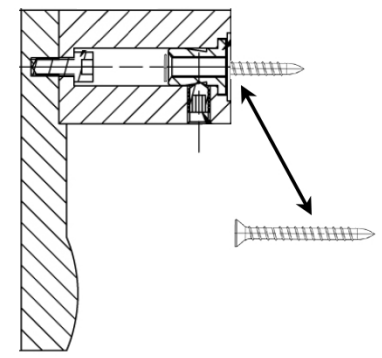
REV	CHANGE DESCRIPTION	Date



BACK TO BACK



SURFACE MOUNTED



Description:			Drawing No.:	Finish:	Page:		
Maralina Offset Door Pull			N/W:	Material:	1		Scale:
			BRASS		A4		1 : 1
Part Number:			Date:		Remarks:		
MDPO			Dwn By:	2021/4/1	Qty:		
Apv By:			Date:		Pittella.		