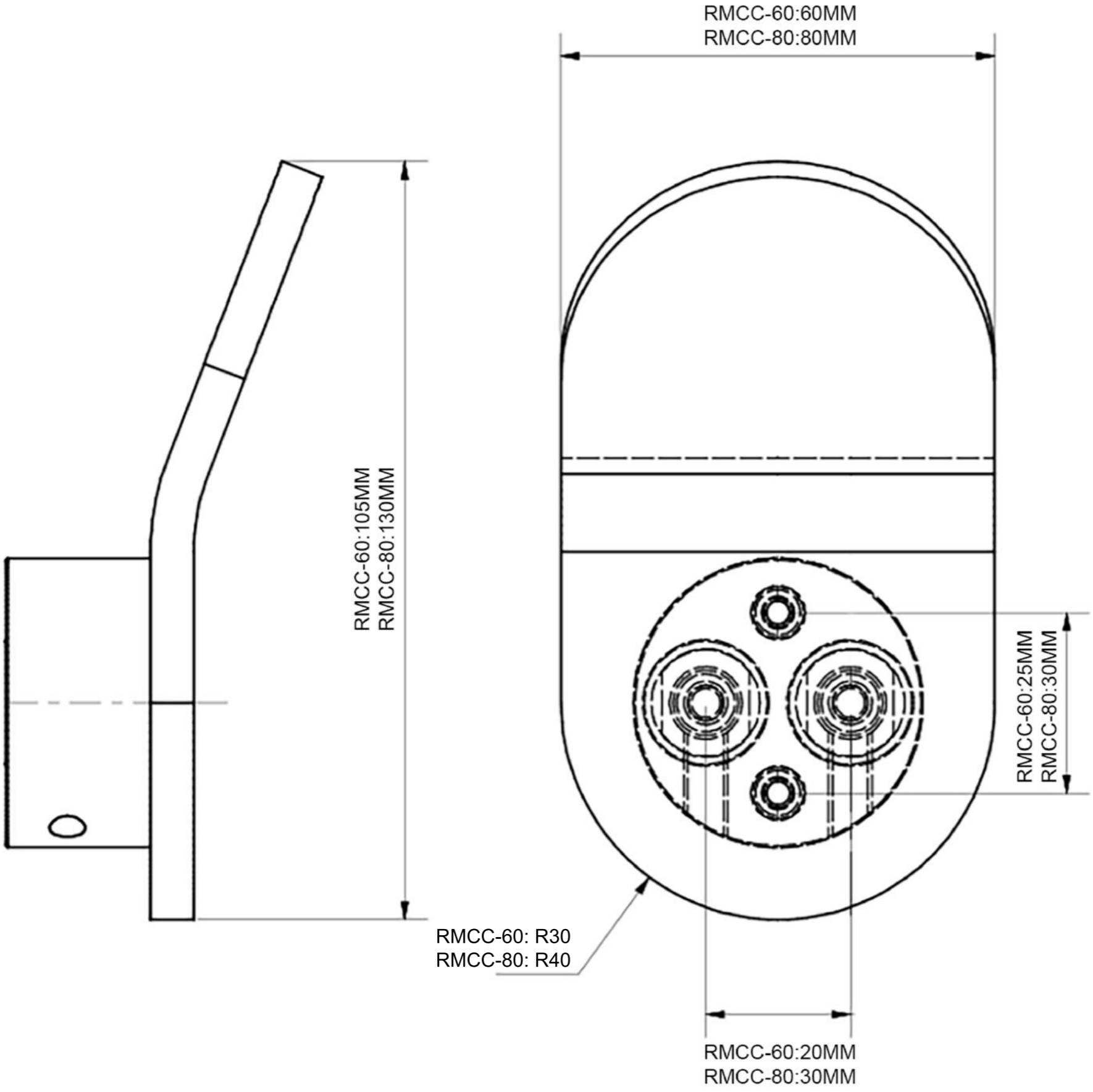


|                                 |               |
|---------------------------------|---------------|
| ARTICLE : RMCC-40               |               |
| DESCRIPTION : COMO JOINERY PULL |               |
| MEASUREMENTS ARE IN MM          |               |
| <b>Pittella®</b>                | DATE 27.11.20 |

Note: Fixing system S0038 must be anchored to the appropriate internal timber/steel stud or solid core door set



|                               |               |
|-------------------------------|---------------|
| ARTICLE : RMCC-60 AND RMCC-80 |               |
| DESCRIPTION : COMO PULL       |               |
| MEASUREMENTS ARE IN MM        |               |
| <b>Pittella</b> <sup>®</sup>  | DATE 27.11.20 |