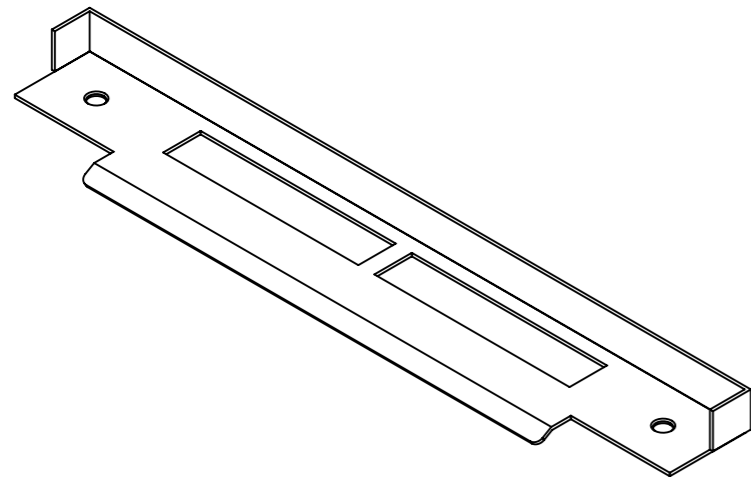
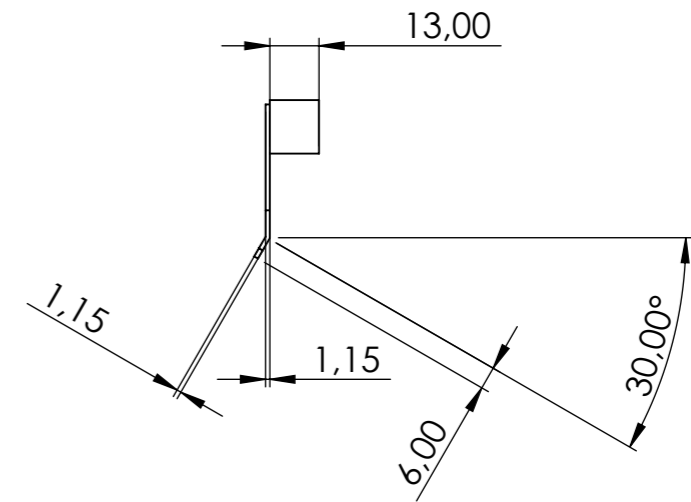
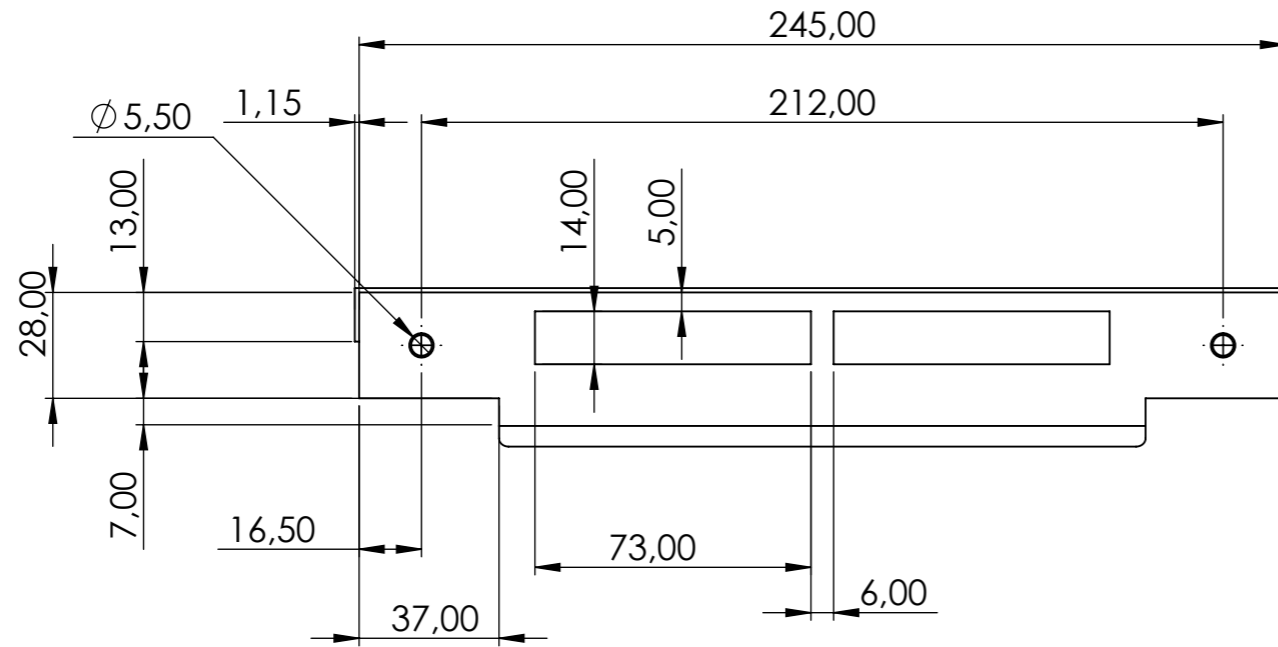
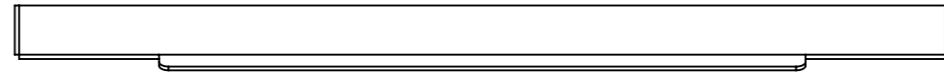


BREAK SHARP CORNERS

09/2020	LLB					A
DATE	DRAW.			COMMENT		REV
UNLESS OTHERWISE STATED: DIMENSIONS ARE IN MILLIMETERS		FR		Measurements are in "mm"		
GENERAL TOLERANCE: ISO 2768 Mk SURFACE CONDITION Ge. :				Art :	R2 Packer	Pittella.
MATERIAL :						
				SCALE 1:1	SHEET 1 / 1 A3	



UNLESS OTHERWISE STATED: DIMENSIONS ARE IN MILLIMETERS				FR		Measurements are in "mm"		BREAK SHARP CORNERS	
09/2020	LLB								
DATE	DRAW.					COMMENT			A
									REV
GENERAL TOLERANCE: ISO 2768 Mk				FR		Art :		R2 Striker	
SURFACE CONDITION Ge. :				FR				Pittella.	
MATERIAL :				FR				SCALE 1:2	
				FR				SHEET 1 / 1 A3	