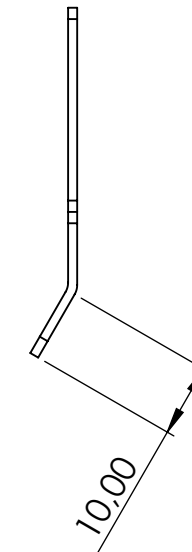
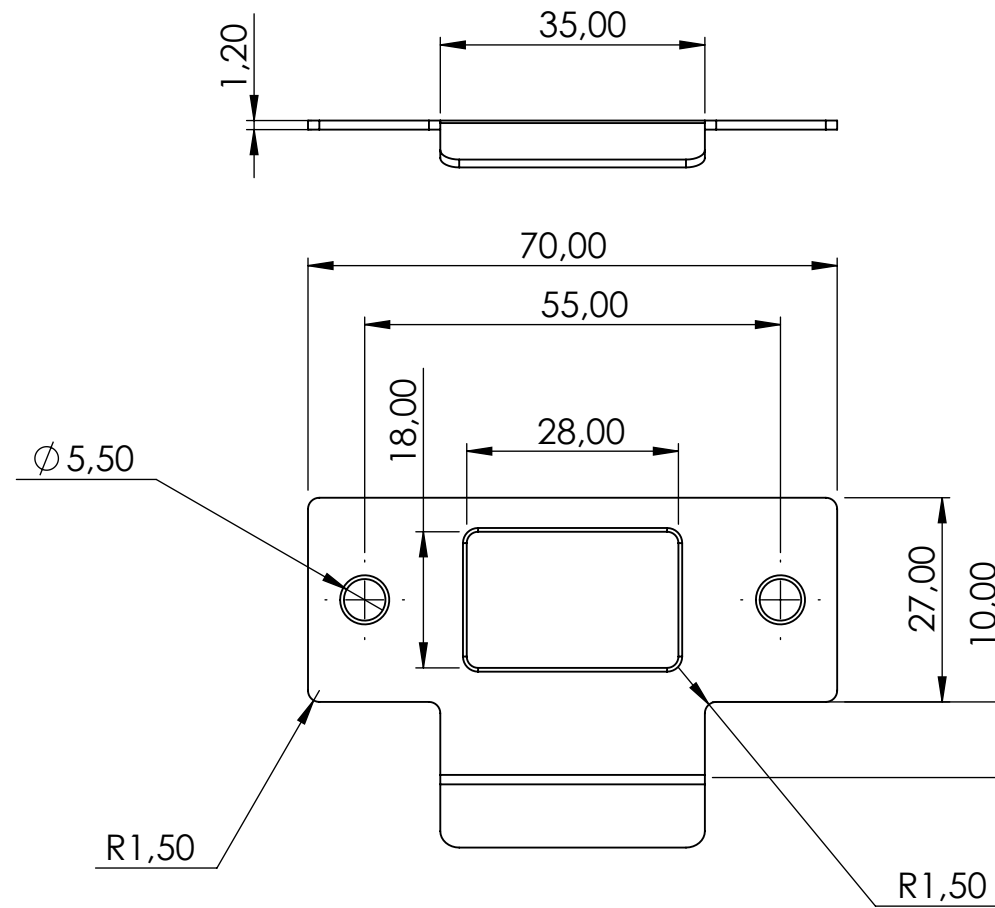
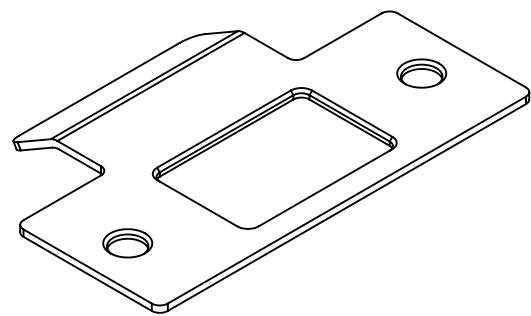


09/2020	LLB									A	
DATE	DRAW.							COMMENT		REV	
UNLESS OTHERWISE STATED: DIMENSIONS ARE IN MILLIMETERS		FR		Measurements are in "mm"							
GENERAL TOLERANCE: ISO 2768 Mk				Art :		P1 Body				Pittella.	
SURFACE CONDITION Ge. :											
MATERIAL :											
								SCALE 1:1		SHEET 1 / 1 A3	



										BREAK SHARP CORNERS	
09/2020	LLB										A
DATE	DRAW.										REV
UNLESS OTHERWISE STATED: DIMENSIONS ARE IN MILLIMETERS		FR		Measurements are in "mm"							
GENERAL TOLERANCE: ISO 2768 Mk				Art :		P1 Striker				Pittella®	
SURFACE CONDITION Ge. :											
MATERIAL :											
								SCALE 1:1		SHEET 1 / 1 A3	